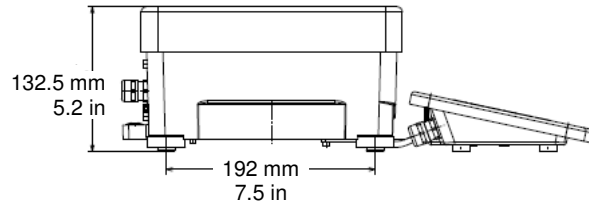


SIWRDCP-V11

Preconfigured Signum Complete Scale



SPECIFICATIONS:

Weighing Capacity	6 kg	Platform Size (WxD)	13.7" x 9.4"
Readability	0.2 g	Dimensions (WxD)	13.7" x 16.5"
Linearity	≤± 4 g.	Displ. Dim. (WxHxD)	9.5" x 2.5" x 7"
Reproducibility	≤± 0.2 g	Display Cable Length	6 feet
Response Time	< 1 seconds	Net Weight	26 1lb.
Operating Temp.	10°C to +40°C	Type of Display	Backlit 14-segment
Protection Rating	IP 65	Overload Capacity	300 kg.

FEATURES:

- The new Signum from Sartorius** is a compact industrial scale that offers exceptional performance features and is very easy to operate. Flexible and ergonomic thanks to adaptable mounting options of the control unit in a slim-line design.

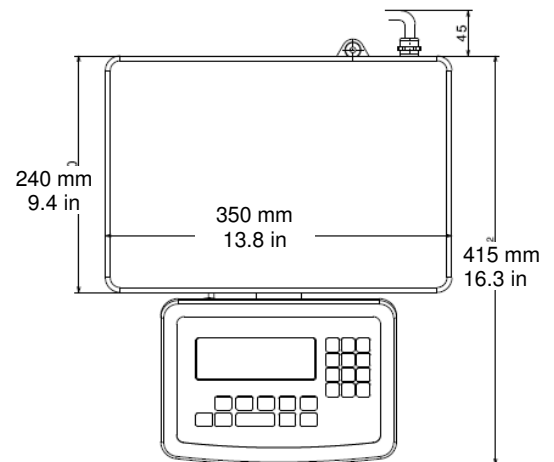
- Application Level 2 – 14 keys, 14 segment display**, Applications include Counting, Weighing in Percent, Animal Weighing, Checkweighing, Classification, Totalizing, Net-Total Formulation

- IP65 Protection Rating**
 The IP 65 protection rating means the scale is dust-tight and with low-pressure water jet protection. This feature makes these scales suitable for use in some of the harshest industrial environments.

- Optional Additional Interfaces**
 Ethernet TCP/IP
 RS232/422/485
 Profibus-DP
 Analog: 4-20mA, 0-20mA, 0-10V 16 Bit
 Digital I/O: 5 in-5 out Opto 130

- RS232 Data Interface**

The SIWRDCP-V11 scales come with a bi-directional interface, which allows for simple connection to a printer or computer for easy data acquisition and automation capabilities. 25-pin D-sub female connector



Sartorius Corporation
 131 Heartland Boulevard
 Edgewood New York 11717
 Toll Free: (800) 635-2906
 ☎ (631) 254-4249, Fax (631) 254-4252