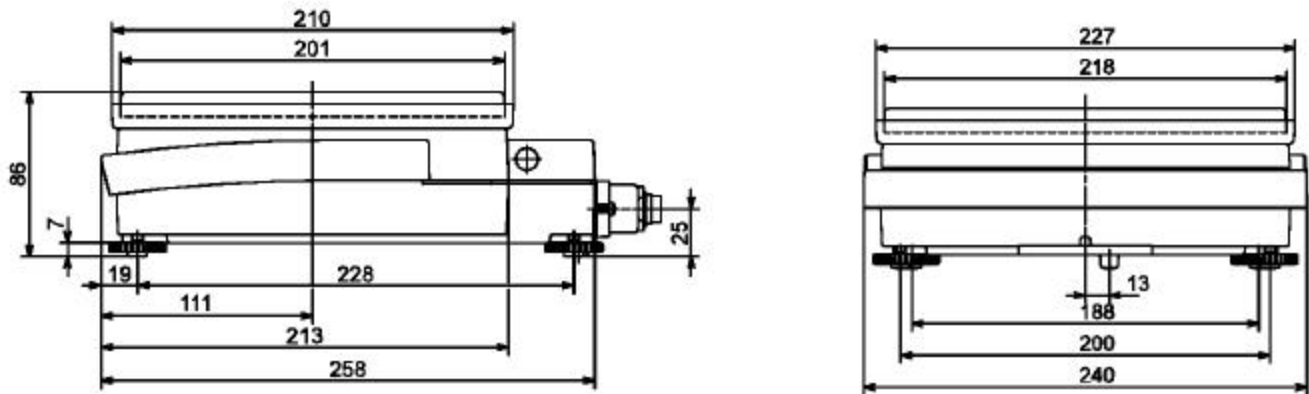


IS12CCE-S



SPECIFICATIONS:

Weighing Capacity	12kg or 26 lb	Platform Size	8.5" x 8"
Readability	0.1g or 0.0002lb	Dimensions (WxHxD)	9.4" x 5.8" x 5.8"
Linearity	$\leq \pm 0.2g$	Platform Cable Length	3 meters or 9'
Reproducibility	$\leq \pm 0.05g$	Platform	Stainless Steel
Response Time	< 1.5 seconds	Base Construction	Epoxy coated alum.
Operating Temp.	0 to +30°C	Protection Rating	IP54
Force Motor Cell	120,000 digit	Net Weight	6.5kg or 14lb
Calibration Weight	Internal	Overload Capacity	50kg or 110 lb
Data Output Speed	20 to 400 ms	RS232 Interface	Optional (YDO54IS)

IP54 Protection Rating

The IP54 protection rating let the scales withstand dust and moisture and protects against accidental spills and ingress of dust particles making them suitable for use in the industrial environment.

Connectable to Sartorius isi Indicators

Through an RS485 signal, the IS06BBE-S can be connected to an isi Indicator with it's standard 3 meter (9') cable, or up to 300 meters (900') where longer distance is required.

Ultra fast Response Time

You won't have to wait more than one second for a stable readout with this platform. With special menu codes activated, you can actually reduce the response time down to 800ms!

Connect directly to a computer

The Sartorius' IS digital weighing platforms can be connected directly to a computer when an optional RS232 converter is installed.

Standard Internal Calibration

Simply press one key to calibrate the platform at any time. Internal calibration is especially useful when the scale gets moved from one location to another, or when the temperature varies considerably. This saves the cost of purchasing calibration weights.

Fast Data Communication

Depending upon the menu setting you select in the setup parameters, data outputs can be sent up to 50 times a second

Sartorius Corporation
 131 Heartland Boulevard
 Edgewood New York 11717
 Toll Free: (800) 635-2906
 ☎ (631) 254-4249
 Fax (631) 254-4261

Sartorius Fax on Demand: (800) 551-3774	
This Document Number:	20914
Related Documents	#
Laboratory Catalog	1000
Industrial Catalog	2000
Calibration Catalog	80015