

WEIGHING
A&D

PRECISION INDUSTRIAL BALANCES



GX-K/GF-K SERIES



GX-K / GF-K SERIES

The World's Most User-Friendly Balances...

Our revolutionary Super Hybrid Sensor (SHS) technology improves response speed, accuracy and minimizes maintenance costs. SHS combines the best of magnetic force restoration and single point parallelogram load sensing technologies. Its unique design provides the fastest response speed in its class - just 1.5 seconds! And if the time ever comes when the SHS needs repair, you just replace one of three parts - there is no need to replace the whole sensor! This translates to Minimum Maintenance Costs. (An additional benefit of our new SHS is that the GX-K automatically performs self-calibration using the internal mass when the balance detects ambient temperature changes.)

Motor-driven Internal Calibration GX-K



The GX-K internal calibration with an internal mass saves time and money. External calibration requires a great deal of skill, time and an expensive external mass. With our internal calibration with internal mass, there is no downtime while the technician calibrates the balance.

- Automatic Self Calibration — Self-calibrates automatically when the balance detects ambient temperature changes.
- One Touch Automatic Calibration — Lets you calibrate the balance on demand with just the push of one button.

Standard RS-232C



Incorporates bi-directional communication with a PC, printer or other peripheral device.

* On "FAST" setting

Just 1.5 Seconds — Ultra Fast Response Speed



- Ultra Fast Response Speed—Just 1.5 Seconds.* Ideal for installation on filling machines.
- Ultra High Performance with minimum maintenance costs.

Standard Windows Communication Tools Software



A free copy of WinCT-A&D's powerful and flexible data collection software tool for virtually instant connection to a PC and a network of other devices.

Water and Dust Proof



Balances protected from water and dust up to IP65 level.



Easy to Clean

Well-draining structure



Water Proof RS-232C Cable

(Optional GX-07K)



PRECISION INDUSTRIAL BALANCES

ANIMAL



Animal Weighing Mode allows you to quickly and accurately determine the weight of any live or unstable subject.



Automatic Adjustable Environment Setting Adapts to the most suitable Environment Response Setting automatically with one-touch key operation. The response annunciator displays "FAST", "MID" and "SLOW." (GX-K)

Manual response adjustment can be set by MODE key and response speed can be adjusted as FAST, MID or SLOW. (GF-K)

COMPARATOR



Standard comparator function offers increased flexibility and compatibility for a vast number of applications. You can input a target weight and acceptable over and under limitations through either the keyboard or by placing samples on the pan. Hi, OK or Lo will be indicated on the display as the comparison results.

(GX-04 Comparator out)

ACAII



Automatic Counting Accuracy Improvement (ACAII) is a novel and useful approach to insuring the utmost in performance when counting even the smallest of items. ACAII automatically updates and refines the average piece weight used to determine the total quantity.



Percentage function facilitates an effective and quick comparison of a sample or commodity against a known reference mass.

Simply place the reference mass on the pan to register its weight and then enter the percent mode.



Overall capacity indication is a unique and helpful feature of the GF. By indicating how much of the balance's capacity has been filled, the risk of overloading the balance is minimized.



GLP/GMP/GCP/ISO Compliance

Allows GLP or LIMS balance management by outputting the Balance ID number and data used to calibrate the balance. The data can be output to A&D's AD-8121B printer or a computer, indicating date, time, Balance ID number, serial number and calibration data.

ID Number

The balance ID number can be set. It is used to identify the balance when GLP is used. The ID number is memorized and maintained once it is fixed, even if the AC adapter is removed.

Auto Power On Function

Plug it in and it turns itself on without pressing ON/OFF key.

Display Auto Power Off Function

Display turns off after 10 minutes of inactivity. (can be disabled when undesired)

Data Memory Function

Format the Data Memory Function for:

- GX-K**
 - 200 sets of weighing data
 - 100 sets of weighing data with Time & Date
 - 50 sets of GLP Data - Time & Date, Calibration Data, ID number and Serial number
 - 50 sets of Unit Weight for Counting Mode
 - 20 sets of Upper and Lower Limit Values for Comparator Mode
 - 20 sets of Tare Value
- GF-K**
 - 40 sets of weighing data
 - 50 sets of Unit Weight for Counting Mode
 - 20 sets of Upper and Lower Limit Values for Comparator Mode
 - 20 sets of Tare Value

Smart Range Function (GX/GF-8K2/32K only)

Fine weighing is possible even with a heavy container for more accuracy.

Time & Date (GX-K only)

Standard Time & Date Function complies with GLP and Interval Weighing in the Data Memory Function.

Auto Self Checking

Automatically checks itself when setting the Automatic Adjustable Environment.

Interval Time Setting

Weighing intervals of 2, 5, 10, 30 seconds and 1, 2, 5, 10 minutes in the Data Memory Function.

Auto Re-Zero Function

Re-zeroes automatically after data output.

Multiple Weighing Units & Programmable Unit

Uses Programmable or standard units of measure. (g, ct, dwt etc.)

Quick Reference Card

A fast, convenient operating guide installed at the bottom of the balance.

GX-K / GF-K SERIES

GX-K/GF-K Series Specifications

	GX-8K	GX-10K	GX-8K2	GX-12K	GX-20K	GX-30K	GX-32K
	GF-8K	GF-10K	GF-8K2	GF-12K	GF-20K	GF-30K	GF-32K
Weighing capacity	8.1kg	10.1kg	8.1kg/2.1kg	12kg	21kg	31kg	31kg/6.1kg
Minimum weighing value	0.01g	0.01g	0.1g/0.01g	0.1g			1g/0.1g
Repeatability (Standard Deviation)	0.01g	0.01g	0.05g/0.01g	0.1g			0.5g/0.1g
Decimal ounce (oz)	285.7190x0.0005	370.4x0.0005	285.720x0.005/ 74.0755x0.0005	423.290x0.005	740.755x0.005	1093.495x0.005	1093.50x0.05/ 215.170x0.005
Troy ounce (ozt)	260.4210x0.0005	337.6x0.0005	260.420x0.005/ 67.5165x0.0005	385.810x0.005	675.165x0.005	996.675x0.005	996.65x0.05/ 196.120x0.005
Pennyweight (dwt)	5208.42x0.01	6751.5x0.01	5208.4x0.1/ 1350.33x0.01	7716.2x0.1	13503.3x0.1	19933.5x0.1	19933x1/ 3922.4x0.1
Carat (ct)	40500.00x0.05	50,500x0.05	40500.0x0.5/ 10500.00x0.05	60000.0x0.5	105000.0x0.5	155000.0x0.5	155000x5/ 30500.0x0.5
Momme (mom)	2160.000x0.005	2800.000x0.005	2160.00x0.05/ 560.000x0.005	3200.00x0.05	5600.00x0.05	8266.65x0.05	8266.5x0.5/ 1626.65x0.05
Grain unit (GN)	125002.2x0.2	162040x0.2	125002x2/ 32408.0x0.2	185188x2	324080x2	478404x2	—
Pound (lb)	17.85745x0.00005	23.15x0.00005	17.8575x0.0005/ 4.62970x0.00005	26.4555x0.0005	46.2970x0.0005	68.3435x0.0005	68.345x0.005/ 13.4480x0.0005
Pound/Ounce (lb/oz)	17L 13.719x0.001	23L 2.4x0.001	17L 13.72x0.01/ 4L 10.075x0.001	26L 7.29x0.01	46L 4.75x0.010	68L 5.49x0.01	68L 5.5x0.1/ 13L 7.17x0.01
Linearity	±0.02g		±0.1g/±0.02g	±0.2g			1g
Stabilization time (typical at FAST)	Approximately 1.5 seconds						
Sensitivity drift (10°C to 30°C, when auto. self cal. is not used)	±2ppm/°C		±3ppm/°C				±5ppm/°C
Operating temperature & humidity	5°C to 40°C, below 85%RH (no condensation)						
Calibration	Motor-driven Internal Calibration (GX-K only)						
Display fresh rate	5 times/second or 10 times a second						
Counting Mode	Min. unit mass	0.01g	0.1g				1g
Percent Mode	Min. 100% ref. mass	0.01g	10g				100g
	Min. % display	0.01%, 0.1%, 1% (depends on reference mass stored)					
Standard Interface	RS-232C (provided as standard, with WinCT, our proprietary data transmission software)						
Water and dust proof specifications	Compliant with IP65						
Calib. weights to be used for calib. ext.	2kg, 3kg, 4kg, 5kg, 6kg, 7kg, 8kg			5kg, 10kg	10kg, 20kg	20kg, 30kg	
Weighing pan dimensions	270(W) x 210(D) mm (10.62 x 8.26 inch)						
Power supply (AC adapter)	Confirm that the adapter type is correct for the local voltage and power receptacle						
Net weight	Approximately 9.3kg/20.5lbs(GX-K models) 8.3kg/18.3lbs(GF-K models)						

1. Even if a heavy tare is used, the measurement can still be made within the fine range. (Smart range function) (GX-8K2/32K GF-8K2/32K)
2. The internal mass is equal to (approximately) 860 grams.

Options

- GX-04K[†]** Comparator Output with Buzzer/RS-232C/current loop output
- GX-06K[†]** Analog output/current loop output
- GX-07K[†]** Waterproof RS-232C cable

- 1 GX-04K, GX-06K, and the RS-232C (provided as standard) cannot be used at the same time. Water and dust proof specifications cannot be applied when the GX-04K or GX-06K is installed.
- 2 Use the GX-07K, optional water proof RS-232C cable, in order to use the standard RS-232C interface for water and dust proof (IP65).

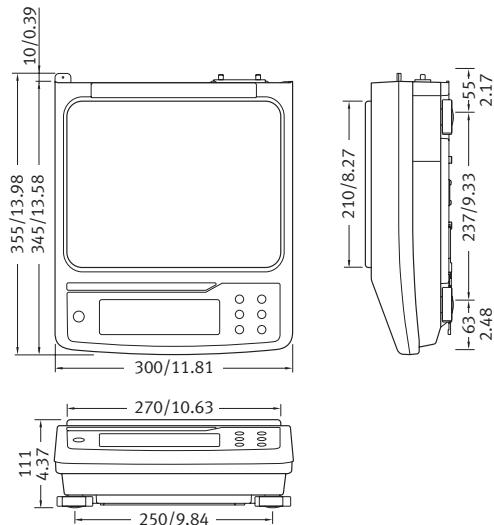
Accessories

- AD-8121B** Dot Matrix Compact Printer
- AD-8118B** Universal Printer
- AD-8920** Remote Display
- AD-1682** Rechargeable Battery Unit (External)
(Maximum operating time: 8hours)
- KO:WW9/25** RS-232C Cable(25p-9p)
- SW:128** Foot Switch



AD-8121B

Physical Dimensions (mm/inches)



Specifications subject to change without notice.